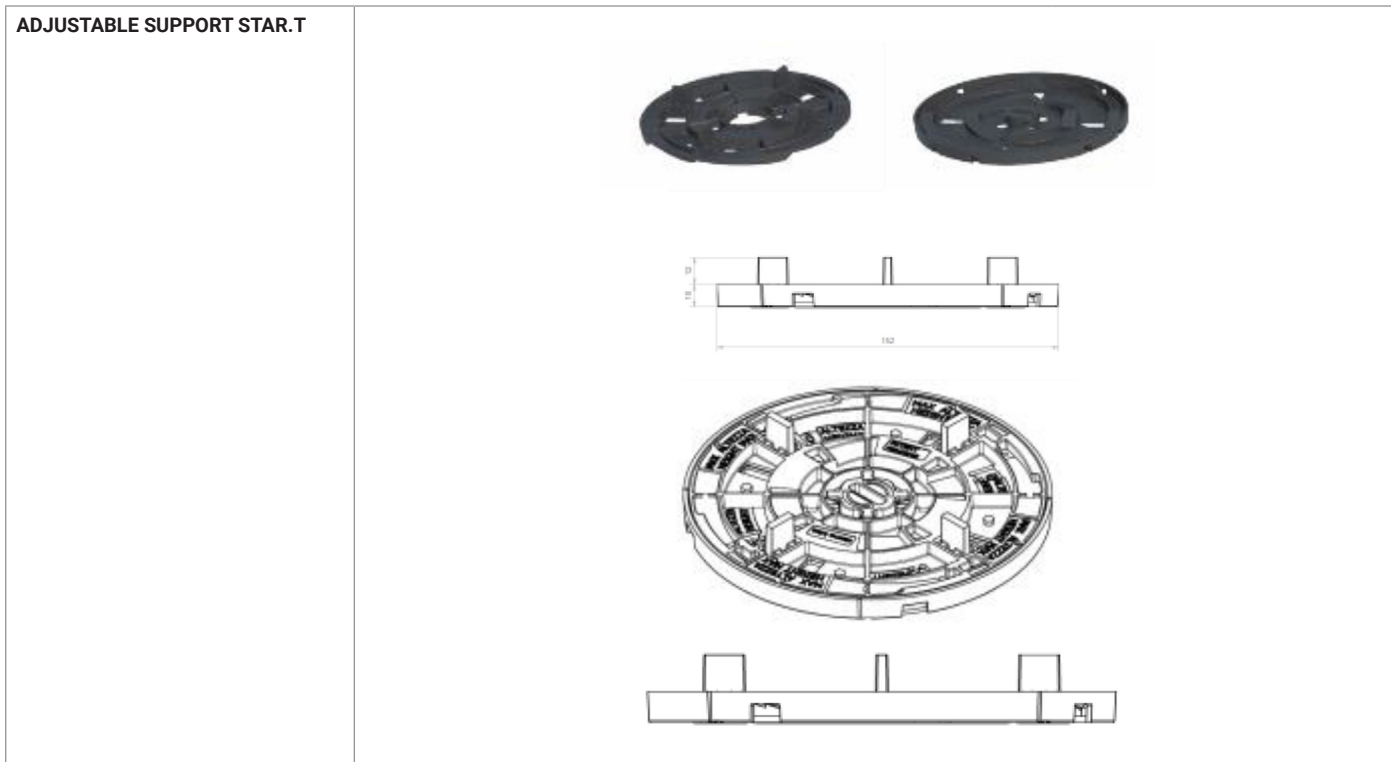


Star.T

CODE: E003010015	REV 00		
------------------	--------	--	--



ITEM SPECIFICATION	<p>"Star.T" pedestal for raised floors have an adjustable height that ranges from 10 mm to 15 mm.</p> <p>The pedestals feature a 152 mm diameter cylindrical base element to be position on the substrate of choice and a top head element with four 12 mm high and 2, 3 or 4 mm thick pre-cut tabs for easy removal. The base element features water drainage holes</p> <p>Adjustment in height is made possible by rotating the base element, which is independent from the head piece.</p>
---------------------------	---

PRODUCT RANGE	PEDESTAL
PRODUCT NAME	Star.T – tabs 4 mm thick
TECHNICAL FEATURES	Adjustable in height from 10 to 15 mm. Regulation key for height adjustment Easy removable tabs
RAW MATERIAL	PP Polypropylene
ENVIRONMENTAL IMPACT	Recyclable material – non dangerous
APPLICATIONS SURFACES	On any waterproofing membrane, insulating panel or compact and solid surface.
APPLICATIONS AREA	Usable with any prefabricated self sustaining element for exterior flooring.

TECHNICAL DATA SHEET



CHARACTERISTICS	UNIT	VALUE	TOLERANCE
BASE DIAMETER	mm	152	+/- mm 1,0
BASE THICKNESS	mm	10	+/- mm 0,2
HEAD DIAMETER	mm	152	+/- mm 0,8
LAYING SURFACE OF THE BASE	cmq	181	+/- cmq 5
MINIMUM HEIGHT	mm	10	+/- mm 1,0
MAXIMUM HEIGHT	mm	15	+/- mm 1,5
TABS THICKNESS	mm	2-3-4	+/- mm 0,2
TABS HEIGHT	mm	12	+/- mm 0,2
WEIGHT	kg	0,1	+/- 5%

TECHNICAL PROPERTIES		UNIT	VALUE
CENTRAL COMPRESSION LOADING LIMIT RESISTANCE* (calculated at medium height, between minimum and maximum extension)		KN	130
ECCENTRIC COMPRESSION LOADING LIMIT RESISTANCE* (calculated at medium height, between minimum and maximum extension)		KN	58
SLOPE CORRECTION		%	0 – 5
SHORE *Tests made by Civil and Environmental Department of University of Padova. 1 KN = 98,6 Kg		Shore d	70 (+/- 3)

PHYSICAL PROPERTIES	METHOD	UNIT	VALUE
REACTION TO FIRE*	UNI EN 13501-1:2009	class	E
LOW TEMPERATURES REACTION *Tests made by Giordano S.p.A. Institute of Bellaria-Igea Marina (RN)-Italy			-40°

PACKAGING AND STORAGE	
PIECES PER BOX	250 (5 bags of 50 pieces each)
PIECES PER PALLET	6000
BOX DIMENSION	79 x 16 x 59 cm
BOX WEIGHT	24,5 kg
PALLET DIMENSION	120 x 80 x h230 cm

The packing of the supports is made of boxes. The final pallets are wrapped with a polyethylene film. We recommend to store indoor, protected from the rain.

LAYING OF THE PRODUCT	The product is simply laid on the substrate of choice, with no need of any glue or fixing
------------------------------	---

The above data are relevant to current production and may be changed or updated by Eterno Ivica at any time without notice. Given the many possible uses and the possible interference of external elements, we do not assume responsibility for the results. The buyer is required to establish under their own responsibility the suitability of the product for the intended use. This document is property of Eterno Ivica. All rights reserved.