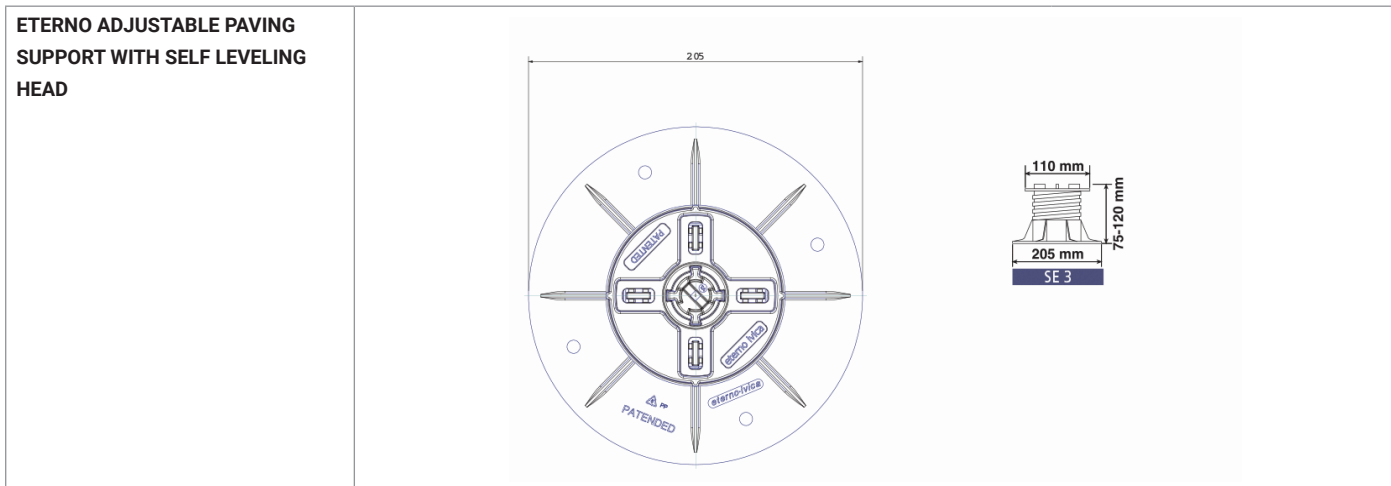


# SE 3

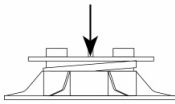
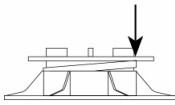
CODE: E240075120	REV 00	27.06.2013	
------------------	--------	------------	--



<b>ITEM SPECIFICATION</b>	<p>“Eterno” pedestal for raised floors have an adjustable height that ranges from 75 mm to 120 mm and are provided with a bi-component self levelling head with an anti noise and non slip rubber top. The pedestals feature a 205 mm diameter cylindrical base element to be position on the substrate of choice, an intermediate screw with a security locking system, and a top head element with four 12 mm high and 2, 3 or 4 mm thick pre-cut tabs for easy removal. The base element features water drainage holes and 4 pre-cut lines to facilitate any cutting if required. Adjustment in height is made with the exclusive regulation key which acts on the screw independently from both the head and the base.</p>
---------------------------	--

<b>PRODUCT RANGE</b>	<b>PEDESTAL</b>
<b>PRODUCT NAME</b>	SE 3
<b>TECHNICAL FEATURES</b>	Adjustable in height. Bicomponent material (PP and rubber) self leveling head Regulation key for height adjustment Easy removable tabs Security lock system to prevent unlocking
<b>RAW MATERIAL</b>	Polypropylene and rubber (head top finishing)
<b>ENVIRONMENTAL IMPACT</b>	Recyclable material - non dangerous
<b>APPLICATIONS SURFACES</b>	On any waterproofing membrane, insulating panel or compact and solid surface
<b>APPLICATIONS AREA</b>	Usable with any prefabricated self sustaining element for exterior flooring

CHARACTERISTICS	UNIT	VALUE	TOLERANCE
BASE DIAMETER	mm	205	+/- mm 1,0
BASE THICKNESS	mm	5	+/- mm 0,2
HEAD DIAMETER	mm	110	+/- mm 0,8
LAYING SURFACE OF THE BASE	cmq	330	+/- cmq 5
MINIMUM HEIGHT	mm	75	+/- mm 1,0
MAXIMUM HEIGHT	mm	120	+/- mm 1,5
TABS THICKNESS	mm	2-3-4	+/- mm 0,2
TABS HEIGHT	mm	12	+/- mm 0,2
WEIGHT	kg	0,458	+/- 5 %

TECHNICAL PROPERTIES		UNIT	VALUE
CENTRAL COMPRESSION LOADING LIMIT RESISTANCE* (calculated at medium height, between minimum and maximum extension)		KN	19, 55
ECCENTRIC COMPRESSION LOADING LIMIT RESISTANCE* (calculated at medium height, between minimum and maximum extension)		KN	15, 23
SLOPE CORRECTION		%	0 - 5
SHORE *Tests made by Civil and Environmental Department of University of Padova. 1 KN = 98,6 Kg		Shore d	70 (+/- 3)

PHYSICAL PROPERTIES	METHOD	UNIT	VALUE
FIRE REACTION*	UNI EN 13501-1:2009	class	E
LOW TEMPERATURES REACTION *Tests made by Giordano S.p.A. Institute of Bellaria-Igea Marina (RN)-Italy			-40°

PACKAGING AND STORAGE	
PIECES PER BOX	30
PIECES PER PALLET	20
BOX DIMENSION	cm 39,5x60x42,5
BOX WEIGHT	kg 14,7
PALLET DIMENSION	cm 80 x 120
The packing of the supports is made of boxes. The final pallets are wrapped with a polyethylene film. We recommend to store indoor, pallets to be protected from the rain.	

LAYING OF THE PRODUCT	The product is simply laid on the substrate of choice, with no need of any glue or fixing
-----------------------	---

The above data are relevant to current production and may be changed or updated by Eterno Ivica at any time without notice.  
Given the many possible uses and the possible interference of external elements, we do not assume responsibility for the results. The buyer is required to establish under their own responsibility the suitability of the product for the intended use. This document is property of Eterno Ivica. All rights reserved.